

# MANAGED ENTERPRISE STORAGE SOLUTIONS

WE LIVE AND BREATHE INFRASTRUCTURE SO YOU DON'T HAVE TO. IT'S OUR PASSION. IT'S OUR LIFE'S WORK.

*Instead of pushing us toward the most expensive equipment, ServerCentral was tremendous at arriving at a solution at the cost that we wanted. We hadn't even considered managed network storage for our VMs until ServerCentral suggested it.*

– Jason Marlin, Ars Technica Technical Advisor

Managing, rapidly scaling, high-transaction storage environments can be a pain. ServerCentral's Managed Enterprise Storage Solutions deliver turnkey SAN and NAS configurations so you can focus on your applications and business processes—while we take care of your storage.

Our Managed Enterprise Storage Solutions feature unified file and block storage, as well as replication, for maximum flexibility. Begin with a 1 TB shared configuration. Grow into a 10 TB+ dedicated configuration that can scale into PBs of raw capacity as needed. Wherever you are today, we'll provide a solution that meets your needs - and we'll be there 24/7/365 to manage scale as you need it.

## HIGH AVAILABILITY

ServerCentral Managed Enterprise Storage Solutions are available in an Active/Passive, high-availability configuration. Should any issues arise, transparent failover occurs automatically. To provide further peace of mind, our storage and system administration experts are onsite and standing by to help 24/7/365.

## DISASTER RECOVERY

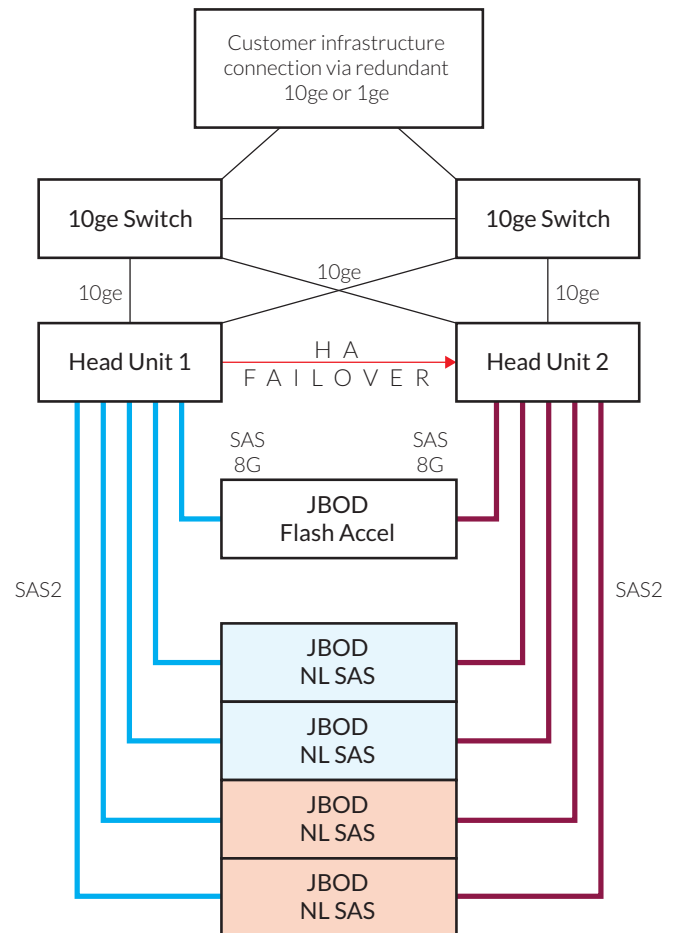
Further, you can expand your Managed Enterprise Storage configuration with optional replication to your chosen Disaster Recovery site(s).

## SUPPORT

Managed Enterprise Storage Solutions are supported by a team of managed storage specialists and storage technicians who configure, install, monitor, and manage your solution from end-to-end. You can always reach an expert who can solve your problem without waiting in phone tree purgatory.

## UPGRADE & DOWNGRADE

Our dedicated team of storage experts adapts storage hardware based on your transaction volume, data store size, and business requirements. We'll migrate you between shared and dedicated SAN as needed.



SERVERCENTRAL ENTERPRISE  
NAS/BLOCK STORAGE

## A COMPARISON OF SHARED AND DEDICATED STORAGE

	PRIMARY SHARED STORAGE	PRIMARY DEDICATED STORAGE
TARGET APPLICATIONS	<ul style="list-style-type: none"> <li>• Web Servers</li> <li>• Archiving</li> <li>• Media Serving</li> <li>• Private Clouds</li> </ul>	<ul style="list-style-type: none"> <li>• High Performance Databases</li> <li>• Private Clouds</li> <li>• Virtualization / VMware Ready</li> </ul>
ACCESS PROTOCOLS	<ul style="list-style-type: none"> <li>• File (NFS)</li> <li>• Block (iSCSI)</li> </ul>	<ul style="list-style-type: none"> <li>• File (NFS)</li> <li>• Block (iSCSI)</li> </ul>
MINIMUM CONFIGURATION	<ul style="list-style-type: none"> <li>• 1 TB</li> </ul>	<ul style="list-style-type: none"> <li>• 10 TB</li> </ul>
CONNECTIVITY	<ul style="list-style-type: none"> <li>• (2) Gigabit Ethernet Connection</li> </ul>	<ul style="list-style-type: none"> <li>• (2) 10 G Ethernet Connections</li> </ul>
DATA PROTECTION	<ul style="list-style-type: none"> <li>• Active/Passive Controllers</li> <li>• Replication and Backup Option</li> <li>• SSD &amp; DRAM Acceleration</li> </ul>	<ul style="list-style-type: none"> <li>• Active/Passive Controllers</li> <li>• Replication and Backup Option</li> <li>• SSD &amp; DRAM Acceleration</li> </ul>
FILE SYSTEM	<ul style="list-style-type: none"> <li>• ZFS</li> </ul>	<ul style="list-style-type: none"> <li>• ZFS</li> </ul>
INCLUDED SERVICES	<ul style="list-style-type: none"> <li>• Customized Snapshots</li> <li>• Compression</li> </ul>	<ul style="list-style-type: none"> <li>• Unlimited Snapshots</li> <li>• Inline deduplication</li> <li>• Compression</li> </ul>
PRICE/GB/Mo.	Starting at \$0.25/GB/Mo.	Custom (TBD)

## MANAGED ENTERPRISE STORAGE SOLUTION DESIGN

Our Managed Enterprise Storage Solutions are designed by a team of managed storage specialists who are responsible for your solution - end to end. From scope to design, configuration, installation and ongoing monitoring and management - we will manage your solution end-to-end. Most importantly, you can always reach an expert who can solve your problem without waiting in phone tree purgatory.

## WORLD-CLASS DATA CENTERS

ServerCentral Managed Enterprise Storage Solutions are deployed in premier data centers located in Chicago and Elk Grove Village, IL; Ashburn, VA; San Jose, CA; Amsterdam, NL; and Tokyo, JP. Our data centers provide a minimum of N+1 redundancy on power and cooling, and multiple network paths for guaranteed 100% uptime.

## SERVERCENTRAL IT INFRASTRUCTURE SOLUTIONS

ServerCentral provides solutions across the entire spectrum of IT infrastructure. Infrastructure is not a one-size-fits-all proposition. With each deployment, ServerCentral factors in your specific business processes, applications, data, regulatory/compliance concerns and goals to help determine the right infrastructure solution. If you're thinking about storage or evaluating your infrastructure strategy, don't hesitate to contact us. We're here to help.

## CONTACT US

Contact us at [sales@servercentral.com](mailto:sales@servercentral.com) or 312.829.1111 to discuss our Managed Enterprise Storage Solutions, set up an infrastructure assessment, or schedule a data center tour.